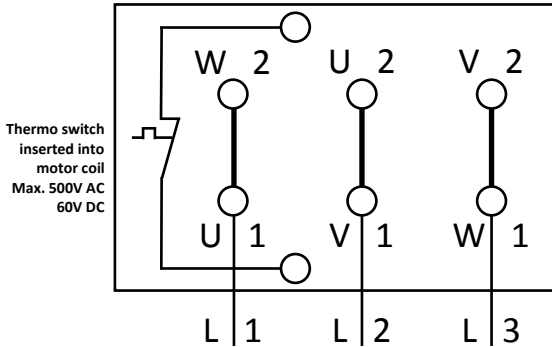


VENTUS BLOWER WIRING

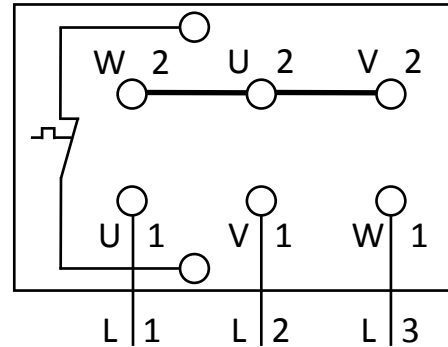
For Newer Models (2015) With A Thermal Switch

CONNECTION TO 3-PHASE ALTERNATING CURRENT

120 V



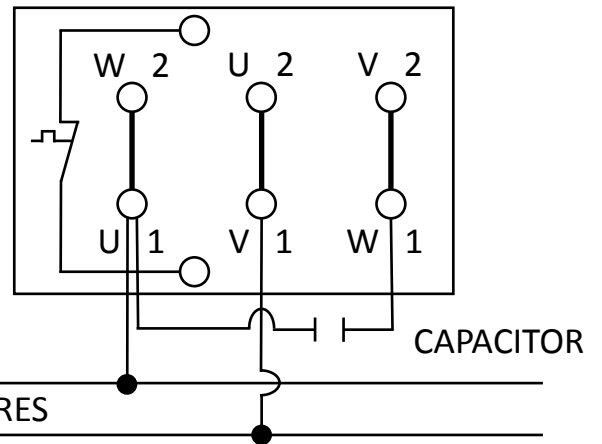
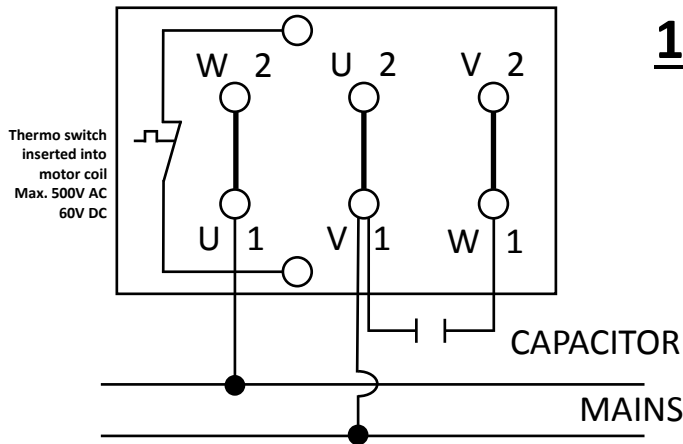
220 V



Changing the sense of rotation requires the reciprocal exchange of two supply wires.

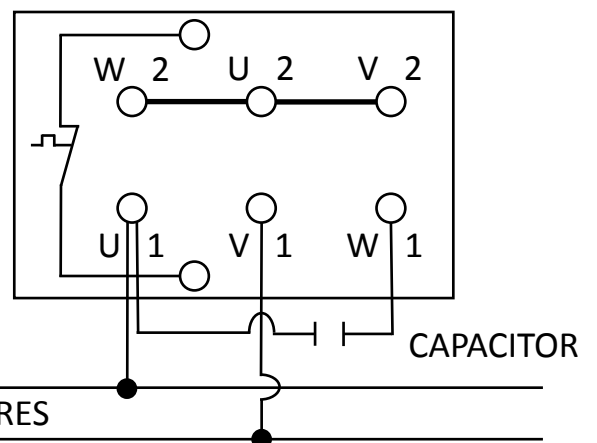
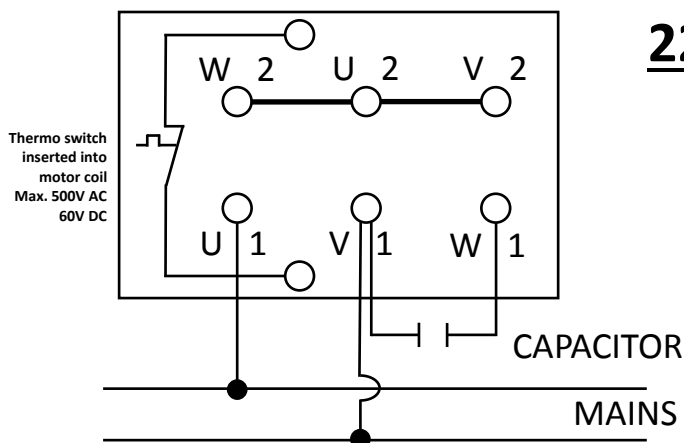
CONNECTION TO 1-PHASE AND 2-PHASE ALTERNATING CURRENT

120 V



CHANGING THE SENSE OF ROTATION REQUIRES THE CONNECTION OF THE CAPACITOR WITH THE OTHER SUPPLY WIRE.

220 V



CAPACITORS FOR VENTUS BLOWERS

	110 VAC	120 VAC	208 VAC	220 VAC	240 VAC
0.10 HP	8-10 MFD	8-10 MFD			
0.18 HP	16 MFD	16 MFD			
0.25 HP	34-36 MFD	34-36 MFD	12 MFD	10 MFD	10 MFD
0.45 HP	50-56 MFD	50-54 MFD	16 MFD	16 MFD	14 MFD
0.75 HP	75-85 MFD	75-82 MFD	20 MFD	20 MFD	20 MFD
1.00 HP	130 MFD	120 MFD	40 MFD	35 MFD	30 MFD

OSI CAPACITORS FOR VENTUS BLOWERS

PART #	MFD
8701.04	4
8701.10	10
8701.12	12
8701.14	14
8701.16	16
8701.20	20
8701.25	25
8701.30	30
8701.35	35
8701.40	40
8701.50	50
8701.60	60
8701.80	80