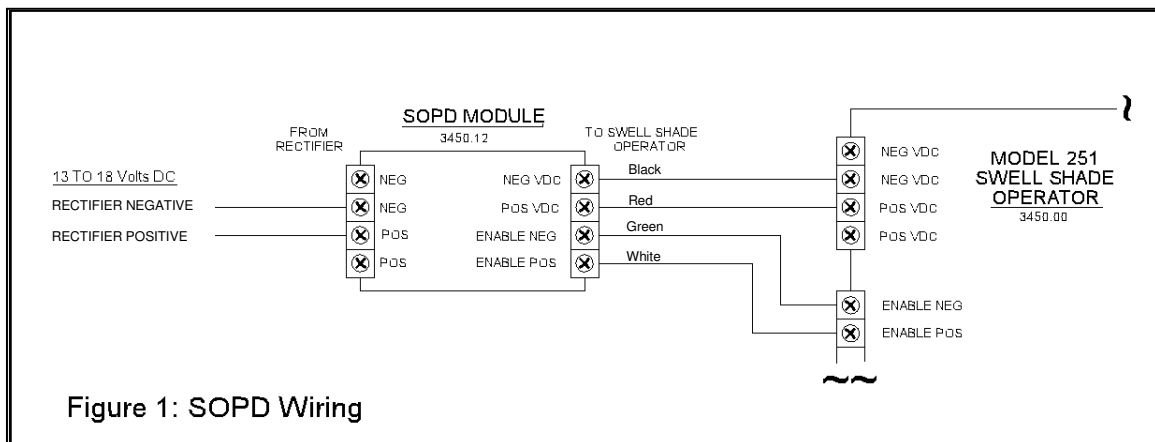




Organ Supply Industries, Inc.

TOTAL PIPE ORGAN RESOURCES

SHADES OPEN ON POWER DOWN SOPD 3450.12



OSI offers a companion module for the Model 251 Swell Shade Operator for those applications that require “*shades open on power down*”.

Figure 1 shows typical wiring. A 3-foot long, four conductor cable assembly is supplied pre-wired to the SOPD module and must be connected to the Model 251 SSO as follows:

- Black #18 AWG to SSO terminal NEG VDC
- Red #18 AWG to SSO terminal POS VDC
- Green #18 AWG SSO terminal ENABLE NEG
- White # 18 AWG SSO terminal ENABLE POS

The rectifier is wired to the input terminal block as shown with a spare set of terminals available for convenience. When the rectifier is turned OFF, the RED LED on the SSO will remain lit for some time depending on the load and ampacity of the rectifier. When the RED LED on the SSO turns OFF or starts getting dim, the shades will open.

The SOPD can only be used with one SSO.