



Manual Keyboard Check Sheet

Date: ___/___/___



- Quote Only
- Order

Customer: _____

P.O. Box 8325 * Erie, PA 16505-0325
(814) 835-2244 Voice * (814) 838-0349 Fax

Order Number: _____

Project Name: _____

NOTE: Please make an effort to provide us with a reasonable delivery date. We will make every effort to meet or exceed that date. Our typical production time on standard keyboards is 60 days and special covering keyboards 90 days. Complete details and deposit must accompany the order to be placed in production.

Which Keyboard Depth Do You Prefer?

- Standard Length, (19-1/2" Front to Back)
- Short Depth, (15-1/2" Front to Back)
- I require less than 61 Notes on the keyboard, - (#) Notes: _____

Keyboard Width

- (Standard) 36-1/8" Wide O.D.
- Special Width: _____

Key Incline:

- Flat (Default)
- Inclined: Details Attached
- Drop Sill Console: Details Attached

How Many Keyboards Do You Require?

- 1 Manual
- 2 Manual
- 3 Manual
- 4 Manual
- 5 Manual

Mounting Options:

- Keyboards Mounted Complete
- Unmounted Keyboards, provided with:
 - * Manual Keys Covered
 - * Frame, Pinned, Blank Removable Piston Rail
 - * Poplar Unfinished Cheeks for Shipping
 - * No Springing or Hardware

Keyboard Slides & Guides:

- Provide Slides and Guides (Desk Skids & Track)
(Allows Keyboards to be pulled out for servicing)
- Provide 4" Extension on Bottom Keyboard
(for Drawknob Consoles and Stopkey Consoles without steps)
- Keyboards Hinged at Desk, please provide hinges for bottom manual

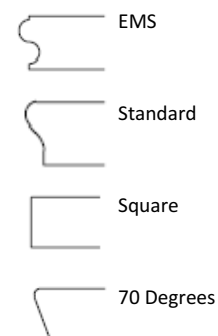
Natural Key Covering Options:

- White Synthetic
- Crème Synthetic (Default)
- White Satin Synthetic (No Gloss)
- Crème Satin Synthetic (No Gloss)
- Wood, Species: _____
- Faux Ivory
- Bone
- Legal Ivory

Key Cheek Wood Options:

- Mahogany (Default)
- Walnut
- Other, Species: _____

Common Profiles



Which Front Profile Would You Like?

- Standard
- Square
- 70 Degrees
- EMS
- Other: Profile Attached

Top Rail Options:

- None
- Style #1, typically used for Stopkey Consoles
- Style #2, typically used for Tilting Tablet Consoles
- I have attached a Special Profile

Finishing

- Unfinished (Default)
*Piston Bushings provided separately, Not Installed
- Finish to Provided Sample
Sample Received ___/___/___

Sharp Key Covering Options:

- Synthetic (Default)
- Satin Synthetic (No Gloss)
- Ebony
- Bone Capped Ebony
- Wood, Species: _____

Mounted Keyboard Springing Options

- Rear Coil Spring (Default)
- Please add Tracker Touch (Toggle Style)
- Front Compass Spring, Tracker Touch Not Available

Style 1 Top Rail



Style 2 Top Rail



Manual Keyboard Information Sheet

AGO Standards - Manual Keyboards

Compass: CC to c4, 61 Notes

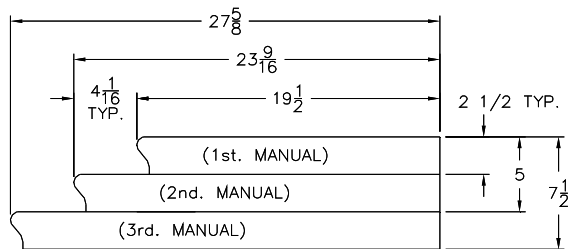
Overhang of the Keys: 4-1/4" to 2-1/2" surface to surface. Manuals may slope toward Great or be level.

Depth of Touch: 5/16" to 3/8" Scant.

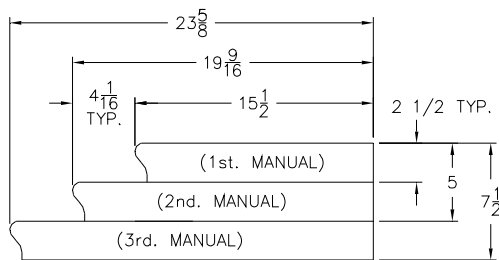
Point of Speech: Midway between top and bottom of travel of the keys.

Weight of Touch: 3-1/4 ounces with tracker touch recommended on electro-pneumatic instruments.

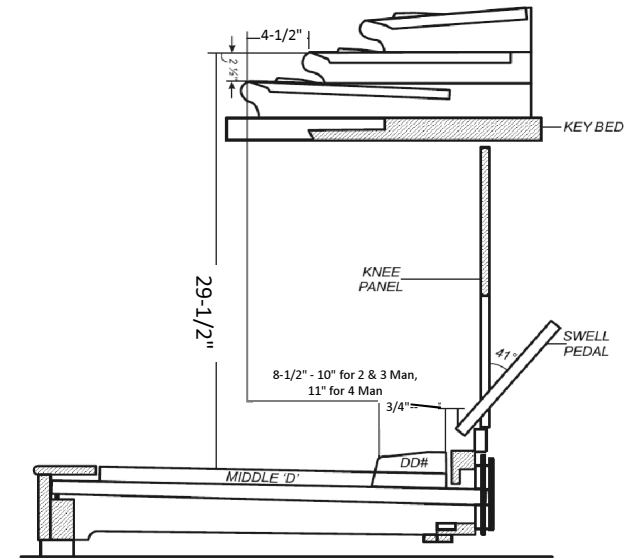
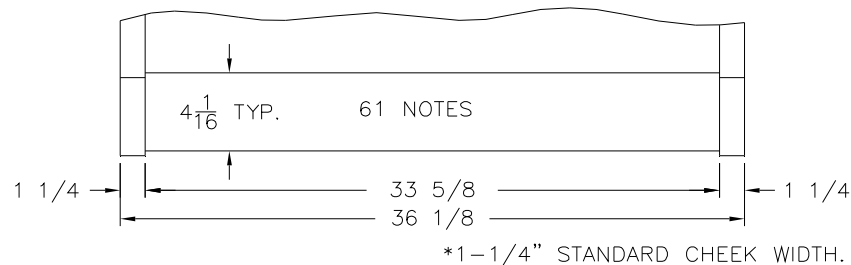
OSI Standard Keyboards Dimension



OSI Short Depth Keyboards



OSI Keyboard Width



Measurements for Console

Generally Accepted Keyboard Inclines

